



SEÑALIZACIÓN Y SEGURIDAD
SIGNS AND SECURITY

SOPORTES DE MATRÍCULA
NUMBER PLATE BRACKETS

PORTADOCUMENTOS
DOCUMENT HOLDER

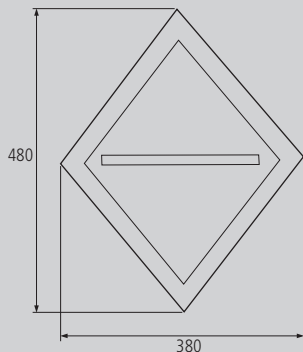
CINTA REFLECTANTE
REFLECTIVE TAPE

SEÑALIZACIÓN DE TRANSPORTE TRANSPORT SIGNS

PLACA ROMBO DIAMOND SHAPE PLATE



* Ref. MDN



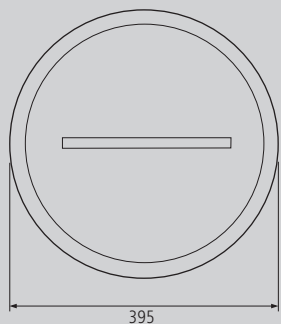
| Material | Peso | Acabado | Color | Ref. |
|----------|------|---------|--------|-------|
| Aluminio | | | Blanco | MDR |
| Aluminio | | | Rojo | MDN * |
| Adhesivo | | | Blanco | MDRA |
| Adhesivo | | | Rojo | MDNA |

Nota

PLACA CÍRCULO CIRCLE PLATE



* Ref. MDC



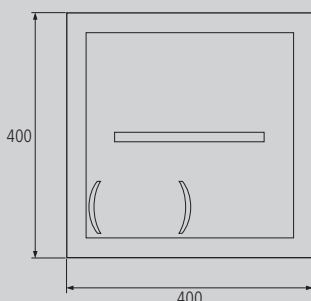
| Material | Peso | Acabado | Color | Ref. |
|----------|------|---------|--------|-------|
| Aluminio | | | Blanco | MDP |
| Aluminio | | | Rojo | MDC * |
| Adhesivo | | | Blanco | MDPA |
| Adhesivo | | | Rojo | MDCA |

Nota

PLACA CUADRO SQUARE PLATE



* Ref. MD1



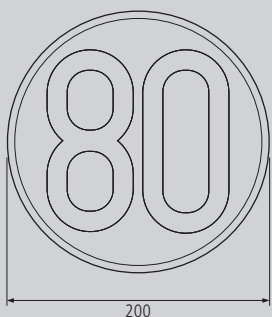
| Material | Peso | Acabado | Color | Ref. |
|----------|------|---------|--------|-------|
| Aluminio | | | Blanco | MDCC |
| Aluminio | | | Rojo | MD1 * |
| Adhesivo | | | Blanco | MDCB |
| Adhesivo | | | Rojo | MD2 |

Nota

DISCO VELOCIDAD DE 200mm. SPEED LIMIT PLATE OF 200mm.



* Ref. MDVC80



| Material | Peso | Acabado | Velocidad | Ref. |
|----------|------|---------|-----------|----------|
| Aluminio | | | 60 | MDVC60 |
| Aluminio | | | 70 | MDVC70 |
| Aluminio | | | 80 | MDVC80 * |

Nota



PLACA SP SP PLATE



* Ref. MSP



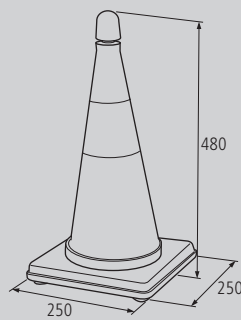
| Material | Peso | Acabado | Tamaño | A | B | Ref. |
|----------|------|---------|---------|-----|-----|-------|
| Aluminio | | | Grande | 225 | 120 | MSP * |
| Aluminio | | | Pequeño | 150 | 75 | MSPC |
| Adhesivo | | | Grande | 225 | 120 | MSPA |
| Adhesivo | | | Pequeño | 150 | 75 | MSPB |

Nota

CONO DE SEÑALIZACIÓN PLEGABLE CON LUZ FOLDING CONE WITH LIGHT



Detalle
Detail

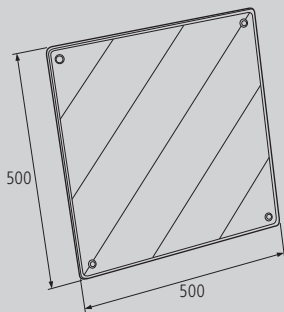


| Material | Peso | Acabado | Extra | Ref. |
|----------|--------|---------|-------|------|
| Plástico | 1.16kg | | | MCS |

Nota

PLACAS REFLECTANTES PLACAS REFLECTANTES

PANEL CARGA SALIENTE (MERCANCÍAS LARGAS) PROTRUDING LOAD PANEL (LONG GOODS)



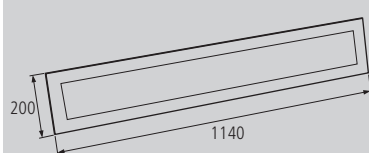
| Material | Peso | Acabado | Extra | Ref. |
|----------|--------|---------------------------|-------|------|
| Aceró | 1.05kg | Galvanizado / Reflectante | | MPS |

Nota

PLACA DE TRANSPORTE LARGA LONG TRANSPORT PLATE



* Ref. MPLI



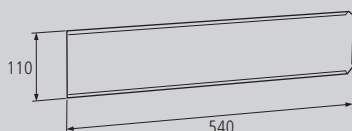
| Material | Peso | Acabado | Extra | Ref. |
|----------|--------|-------------|-------|--------|
| Aluminio | 0.76kg | Reflectante | | MPLI * |
| Adhesivo | | Reflectante | | MPLA |

Nota

SOPORTES DE MATRÍCULA NUMBER PLATE BRACKETS

SOPORTES DE MATRÍCULA NUMBER PLATE BRACKETS

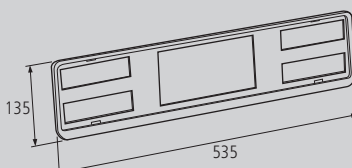
SOPORTE GALVANIZADO DE MATRÍCULA INTERCAMBIABLE GALV. BRACKET FOR INTERCHANGEABLE NUMBER PLATE



| Material | Peso | Acabado | Extra | Ref. |
|----------|--------|-------------|-------|------|
| Acero | 0.52kg | Galvanizado | | MSM |
| | | | | |
| | | | | |

Nota

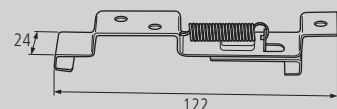
SOPORTE PLÁSTICO DE MATRÍCULA PLASTIC BRACKET FOR NUMBER PLATE



| Material | Peso | Acabado | Extra | Ref. |
|----------|--------|---------|-------|------|
| Plástico | 0.09kg | | | MSMP |
| | | | | |
| | | | | |

Nota

SOPORTE INOXIDABLE CON MUELLE DE MATRÍCULA INTERCAMBIABLE STAINLESS STEEL BRACKET WITH SPRING FOR INTERCHANGEABLE NUMBER PLATE



| Material | Peso | Acabado | Extra | Ref. |
|------------|--------|---------|-------|------|
| Acero INOX | 0.04kg | | | MSMI |
| | | | | |
| | | | | |

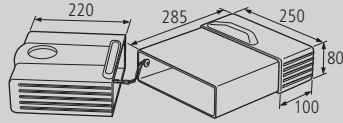
Nota



PORTADOCUMENTOS DOCUMENT HOLDER

PORTADOCUMENTOS DOCUMENT HOLDER

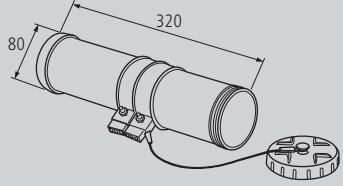
CAJA TERMOPLÁSTICA PORTADOCUMENTOS CUADRADA SQUARE THERMOPLASTIC DOCUMENT HOLDER BOX



| Material | Peso | Acabado | Extra | Ref. |
|----------|--------|---------|-------|------|
| Plástico | 0.98kg | Negro | | MPD |
| | | | | |
| | | | | |
| | | | | |

Nota

CAJA TERMOPLÁSTICA PORTADOCUMENTOS CILÍNDRICA CYLINDRICAL THERMOPLASTIC DOCUMENT HOLDER BOX



| Material | Peso | Acabado | Extra | Ref. |
|----------|--------|---------|-------|------|
| Plástico | 0.41kg | Gris | | MPDR |
| | | | | |
| | | | | |
| | | | | |

Nota

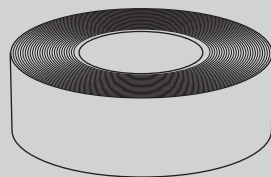
CINTA REFLECTANTE REFLECTIVE TAPE

CINTA REFLECTANTE ADHESIVA ADHESIVE REFLECTIVE TAPE

ROLLO CINTA REFLECTANTE ADHESIVA (VC104) ROLL OF ADHESIVE REFLECTIVE TAPE (VC104)



* Ref. MCRAR



| Material | Peso | Acabado | Color | Ref. |
|----------|------|---------|----------|---------|
| Adhesivo | | | Blanco | MCRAB |
| Adhesivo | | | Rojo | MCRAR * |
| Adhesivo | | | Amarillo | MCRAA |
| | | | | |
| | | | | |

Nota

Se vende en rollos de 50m.