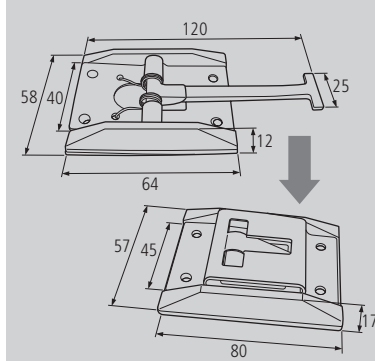


SUJETAPUERTAS ABATIBLE RETRACTABLE DOOR RESTRAIN

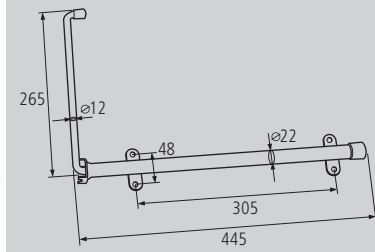
SUJETAPUERTAS ABATIBLE RETRACTABLE DOOR RESTRAIN



| Material | Peso | Acabado | Extra | Ref. |
|------------|--------|---------|-------|-------|
| Acero | 0.16kg | Cincado | | LSA * |
| Acero INOX | 0.18kg | | | LSAI |
| Nota | | | | |

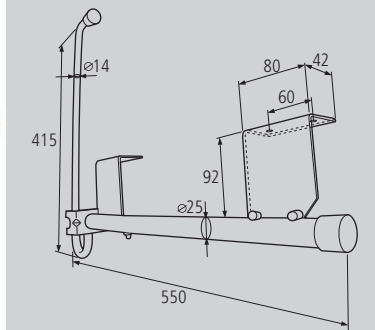
SUJETAPUERTAS OCULTO CONCEALD DOOR RESTRAIN

SUJETAPUERTAS OCULTO MODELO "A" CONCEALD DOOR RESTRAIN MODEL "A"



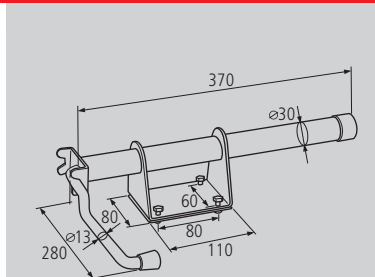
| Material | Peso | Acabado | Extra | Ref. |
|----------|--------|---------|-------|------|
| Acero | 1.14kg | Cincado | | LSO |
| Nota | | | | |

SUJETAPUERTAS OCULTO MODELO "E" CONCEALD DOOR RESTRAIN MODEL "E"



| Material | Peso | Acabado | Extra | Ref. |
|----------|--------|---------|-------|------|
| Acero | 2.52kg | Cincado | | LSOE |
| Nota | | | | |

SUJETAPUERTAS OCULTO MODELO "V" CONCEALD DOOR RESTRAIN MODEL "V"



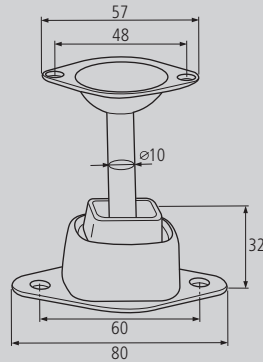
| Material | Peso | Acabado | Extra | Ref. |
|----------|--------|---------|-------|------|
| Acero | 1.88kg | Cincado | | LSOV |
| Nota | | | | |

SUJETAPUERTAS FIJO FIXED DOOR RESTRAIN

SUJETAPUERTAS FIJO FIXED DOOR RESTRAIN



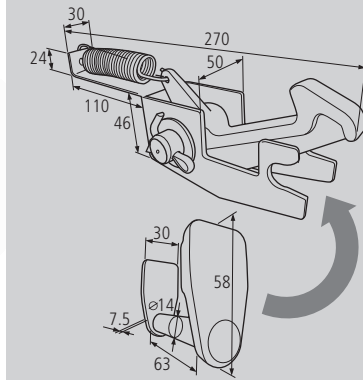
* Ref. LS4



| Material | Peso | Acabado | Altura | Ref. |
|----------|--------|---------|--------|-------|
| Acero | 0.12kg | Cincado | 40 | LS4 * |
| Acero | 0.14kg | Cincado | 60 | LS6 |
| Nota | | | | |

SUJETAPUERTAS DE VOLQUETE DUMPER DOOR RESTRAIN

SUJETAPUERTAS PARA VOLQUETE CON MUELLE Y PESTILLO DUMPER DOOR RESTRAIN WITH SPRING AND LATCH



| Material | Peso | Acabado | Extra | Ref. |
|----------|--------|---------|-------|------|
| Acero | 1.57kg | | | LSV |
| Nota | | | | |

