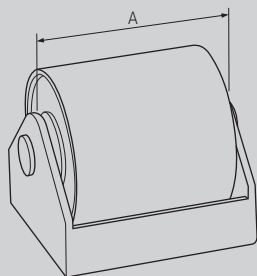


RODILLOS CONTENEDOR CONTAINER ROLLERS

RODILLOS CONTENEDOR CONTAINER ROLLERS

RODILLOS CONTENEDOR (ACERO BRUTO) CONTAINER ROLLERS (CRUDE STEEL)



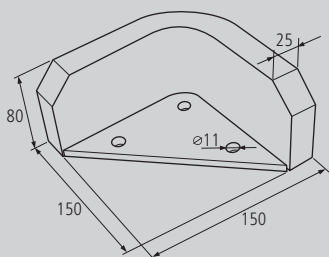
| Material | Peso | Acabado | Anchura (A) | Ref. |
|----------|---------|---------|-------------|--------|
| Acero | 10.50kg | | 160 | GRC160 |
| Acero | 16.92kg | | 180 | GRC180 |
| Acero | 17.18kg | | 200 | GRC200 |

Nota

TOPES TRASEROS PLATAFORMA REAR BUMPER FOR PLATFORM

TOPE TRASERO DE ACERO PARA PLATAFORMA STEEL REAR BUMPER FOR PLATFORM

TOPE ÁNGULO DE ACERO PARA PLATAFORMA (MODELO "B") STEEL CORNER BUMPER FOR PLATFORM (MODEL "B")

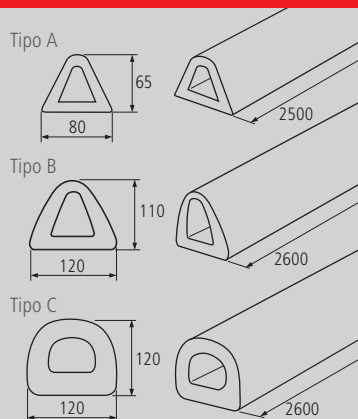


| Material | Peso | Acabado | Extra | Ref. |
|----------|--------|---------|-------|------|
| Acero | 4.60kg | Cincado | | GTPP |

Nota

TOPES DE GOMA PARAGOLPES TRASERO RUBBER BUFFERS FOR REAR BUMPER

TOPES DE GOMA FURGÓN TRASERO RUBBER BUMPER FOR REAR BUMPER



| Material | Peso (p/m) | Acabado | Tipo | Ancho | Alto | Largo | Ref. |
|----------|------------|---------|------|-------|------|-------|-------|
| Goma | 3.54kg | | A | 80 | 65 | 2500 | GTTA |
| Goma | 7.86kg | | B | 120 | 110 | 2600 | GTTB |
| Goma | 11.05kg | | C | 120 | 120 | 2600 | G TTC |

Nota
Se vende en tiras.

Laterales inferiores

